



SWISS DESIGN SINCE 1911

**FRANKE**

MAKE IT WONDERFUL

Franke Home Solutions  
[www.franke.com.hk](http://www.franke.com.hk)

Authorised Dealer of The B.S.C. Group  
09/21

Sole Distributor of Hong Kong & Macau  
B.S.C. Group of Companies  
Address: 19th Floor, Sino Favour Centre, 1 On Yip Street,  
Chai Wan, Hong Kong  
Tel: +852 2510 2328  
Website: [www.bschk.com](http://www.bschk.com)

B記 - 香港 B2B 裝飾建材網  
Website: [www.bkee.com](http://www.bkee.com)  
Facebook: [facebook.com/BkeeOnline](https://www.facebook.com/BkeeOnline)  
YouTube: B記 - 香港 B2B 裝飾建材網  
Tel: +852 9815 9250 (WhatsApp)  
Email: [cs@bkee.com](mailto:cs@bkee.com)

All pictures, specifications and other content in this catalogue are the property of Franke and shall not be reproduced in any form of media without the expressed written permission from Franke.

All product images and specifications are subject to the actual technical data. Franke reserves the right to make any changes and modifications, without prior notice, resulted from technology development.

Printed in Sept 2021



## PRODUCT CATALOGUE 2021-2022

Setting new standards in  
kitchen style and performance

MAKE IT WONDERFUL

**FRANKE**



# CONTENTS

## 2021

---

<b>Brand Introduction</b>	02
<b>Innovation / Awards</b>	04
<b>Sink Overview and Highlights</b>	08
• Granite Sink	12
• Stainless Steel Sink	20
• Accessories	32
<b>Tap Overview and Highlights</b>	40
• Brass Tap	44
• Stainless Steel Tap	47
• Stainless Steel Filtration Tap	49
<b>Filtration</b>	50
<b>Food Waste Disposer</b>	56
<b>Cleaning Accessories</b>	60
<b>Our Projects</b>	62

# SWISS HERITAGE

Since 1911

---

**Switzerland**, a beautiful country with spectacular natural landscapes and a rich history, is famous for its manufacturing excellence with uncompromising quality and design.

That's where our story began.

After pursuing detail, perfection and high quality for over a century, we stand for reliable, premium products and have a strong reputation as a dependable partner.

As a traditional Swiss brand with more than **100 years** of history, we have expanded our business across **5** continents and own **72** branches spanning **40** countries.

**There are over 100 million households using Franke products today.**



# OUR STORY

## TODAY

Franke Group consists of three core business divisions: Franke Home Solutions, Franke Foodservice Systems and Franke Coffee Systems; Franke Home Solutions has become one of the world's leading providers of integrated kitchen systems.



## 1911

Herman Franke establishes a sheet-metal business in Rorschach, Switzerland. In the early 1930s, he manufactures the first sink unit in nickeline, monel and later, in stainless steel. Soon, series production starts and Franke launches the first fully welded, flush-mounted sink.



## 1946

Walter Franke draws up a model for the standardization of the private kitchen, which set kitchen technology standards still used today. They successfully export to neighboring countries, and in the following years, further expand all throughout Europe. The business also grows from private to commercial kitchens, coffee machines, and semi-public washrooms.



## 1978

With the purchase of Progressive Corporation in Philadelphia USA, Franke takes the first big step towards becoming a global company. During the next few years, the company also successfully continues to increase its footprint in the African markets.

## 1995

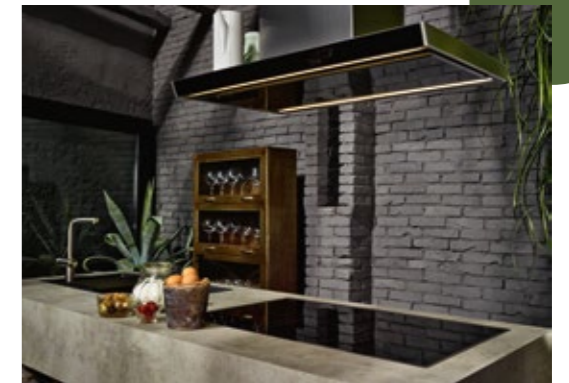
Franke enters the PRC market – an important step in expanding business in Asia.

Since then, Franke has established efficient and economic manufacturing facilities all over the world, successfully building the company into today's global Franke Group.



## 2005

Franke takes over the Faber Group of Italy, one of the top hood manufacturers in the world. This significantly strengthens their capability of being an integrated kitchen system provider.



## 2011

Celebrating over 100 years of excellent products and design, Franke has been the pioneer in exceptional home solutions, foodservice systems and coffee systems. Staying true to its Swiss heritage and bringing out the best in quality, design and functionality, Franke strives to create innovative and elegant integrated kitchen solutions for every customer.



## 2021

In July 2020, the Franke Group announces the merger of the Faber Hoods & Cooking Systems and Franke Kitchen Systems divisions. As of January 1, 2021, the new division operates under the name of Franke Home Solutions. The Franke Group is thereby pooling its expertise in the areas of food preparation and cooking for the residential kitchen. The vision is to be present in each and every household with a Franke anchor product.



# INNOVATION IS IN OUR DNA

We have always been passionate innovators since our beginnings.



• **FRANKE BOX SINK**

Red Dot Award 2015



• **FRAMES BY FRANKE STAINLESS STEEL SINK**

Red Dot Award 2016



• **FRAMES BY FRANKE SEMIPRO TAP**

Red Dot Award 2016



• **FRANKE STYLE SINK**

iF Design Award 2017  
Red Dot Award 2017



• **FRAMES BY FRANKE GRANITE SINK**

iF Design Award 2017



• **FRANKE PESCARA RANGE OF TAPS**

iF Design Award 2017  
Red Dot Award 2017



• **FRANKE CRYSTAL SEMI-PRO TAP**

iF Design Award 2018  
Red Dot Award 2018



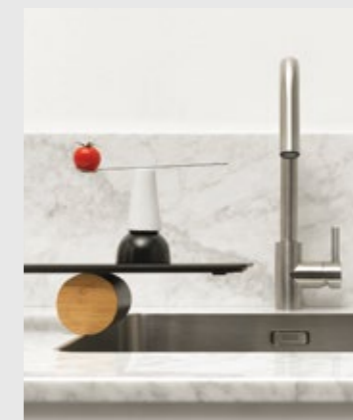
• **FRANKE BOX CENTER**

iF Design Award 2019



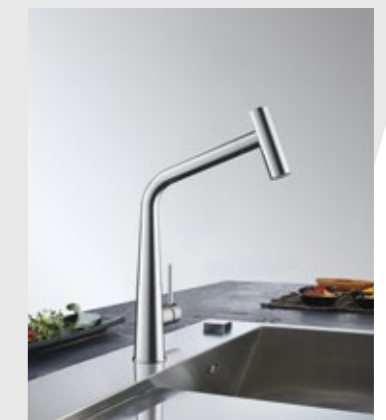
• **FRANKE KUBUS 2 RANGE OF FRAGRANITE SINKS**

Red Dot Award 2019



• **FRANKE MYTHOS SINK**

iF Design Award 2020



• **FRANKE ICON TAP**

iF Design Award 2021  
Red Dot Award 2021





## SINKS

### Overview

---

#### **Kitchen Sinks That Feel Tailor-Made**

Everyone has a different vision of what would make their kitchen wonderful, and that often begins with how they intend to use it. The demands on your sink will dictate which material is right for your kitchen, as each precision-engineered material has individual character and unique benefits.

Our range covers everything, from the new trends to traditional favourites. All you have to do is pick the one that best complements your cooking style, your lifestyle and your personal style.

#### **Fragranite**

Superbly hard-wearing, sinks made of granite are particularly elegant and bring a natural look into your kitchen.

Our processed granite has a subtle shine and feels warm to the touch. The surface is finely textured but not porous, ensuring a high standard of hygiene. Composed of 80% quartz sand and 20% very hard acrylic resin, Franke's hard-wearing granite gives you a lifetime of beauty.

#### **Stainless Steel**

Franke stainless steel sinks are made from premium quality 304 stainless chrome nickel steel. Stunningly beautiful, highly resistant to stains, rust and corrosion - plus, it won't chip, craze, flake or break.

Franke offers sinks in a selection of stainless steel finishes, so whether you prefer the more reflective qualities of a polished finish or the subtle matt sheen of a silk or brushed finish, there's a stainless steel solution for you.

# HIGHLIGHTS

Details that make the difference



Small details such as minute material processes, its forming history, or an innovative “fast-in” installation system make a huge difference in the finished product. Whether it’s to save you time, make cleaning easier, boost performance or simply provide an efficient solution for life’s little challenges, every aspect of a Franke sink is carefully designed to make life more seamless.

## Choosing Your Perfect Sink



There are a number of considerations to take into account when choosing a sink. Not only how it'll accentuate the overall look and feel of your kitchen, but also how well its installation and functionality work for your lifestyle.

### 1. Material Options

- STAINLESS STEEL
- FRAGRANITE

### 2. Installation Type\*

- INSET
- FLUSHMOUNT
- UNDERMOUNT

### 3. Number of Bowls

- **SINGLE BOWL**  
Single bowl sinks come in a variety of sizes, ideal for limited space or large spaces.
- **DOUBLE BOWL**  
Double bowl sinks offer great flexibility in the kitchen, providing more space, with additional options.

### 4. Cabinet size


The length and depth of the cabinet, on top of which the sink will be located, are the factors that determine the maximum size of an installed sink.

### 5. Bowl depth


A deeper bowl can make it easier to handle large pots and cookware, but the user's height should also be considered. A shallower bowl may provide greater comfort while working in and reaching the bottom of the sink.

## Installation Type\*




 **INSET** the most popular installation option: practical and easy.



 **FLUSHMOUNT** a sophisticated design that enhances the look of the worktop.

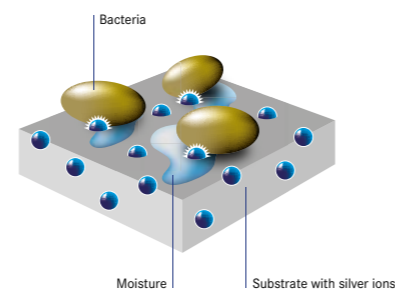


 **UNDERMOUNT** an original, refined installation choice that allows bowls and sinks to be installed underneath marble or synthetic worktops, creating a surface with immaculate lines which is highly functional, elegant and easy to maintain.



# FRAGRANITE SINK

Durable and versatile, Fraganite offers a host of practical and aesthetic benefits. The surface's rich colour won't stain, mark or fade over time. Plus, having been heated up to 280°C, the material superbly hard-wearing, making it impact and scratch resistant – perfect for busy family homes. What's more, our Fraganite's Sanitized® coating reduces bacteria and microbe growth by 99%, helping keep your sink hygienic and clean.



The silver ion locates the bacteria via the moisture and deactivates it.

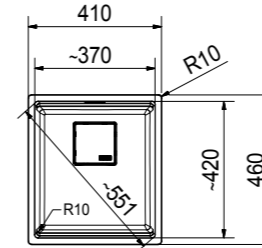


## FRAGRANITE SINK

### KUBUS 2



Stone Grey

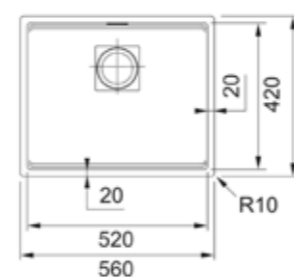


**Model** KNG 110-37 Graphite/ Onyx  
**Overall Size** 410 x 460mm (LxW)  
**Bowl Size** 370 x 420 x 200mm (LxWxD)  
**Cut-out Size** 370 x 420mm, R10 (LxW)  
**Installation** Undermount  
**Included Accessory** Waste kit w/over flow  
**Suggested Retail Price** \$4,580

### KUBUS 2



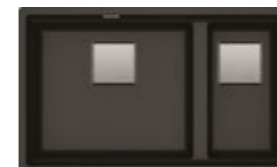
Polar White



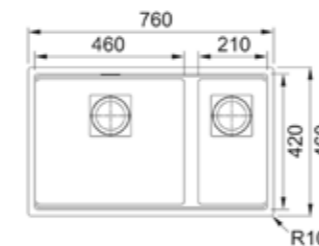
Stone Grey

**Model** KNG 110-52 Graphite/ Onyx  
**Overall Size** 560 x 460mm (LxW)  
**Bowl Size** 520 x 420 x 200mm (LxWxD)  
**Cut-out Size** 520 x 420mm, R10 (LxW)  
**Installation** Undermount  
**Included Accessory** Waste kit w/over flow  
**Suggested Retail Price** \$5,280

### KUBUS 2



Polar White



Stone Grey

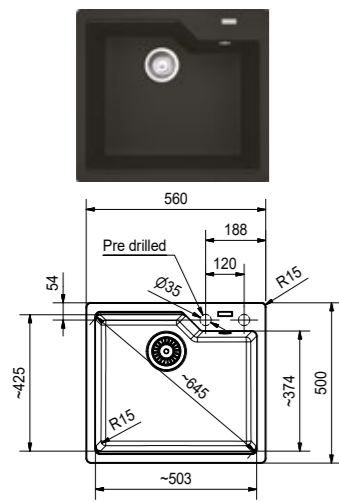
**Model** KNG 120 Graphite/ Onyx  
**Overall Size** 760 x 460mm (LxW)  
**Bowl Size** 460 x 420 x 200mm (LxWxD),  
 210 x 420 x 200mm (LxWxD)  
**Cut-out Size** 720 x 420mm, R10 (LxW)  
**Installation** Undermount  
**Included Accessory** Waste kit w/over flow  
**Suggested Retail Price** \$5,780



## FRAGRANITE SINK

### URBAN

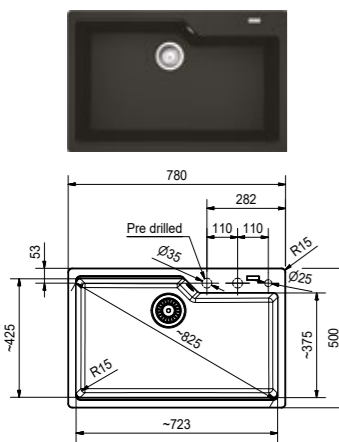
 SLOVAKIA



**Model** UBG 610-56 Graphite/ Onyx  
**Overall Size** 560 x 500mm (LxW)  
**Bowl Size** 503 x 425 x 230mm (LxWxD)  
**Cut-out Size** 522 x 462mm, R20 (LxW)  
**Installation** Inset  
**Included Accessory** Waste kit w/over flow, strainer bowl  
**Suggested Retail Price** \$4,080

### URBAN

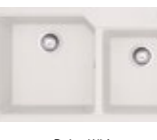
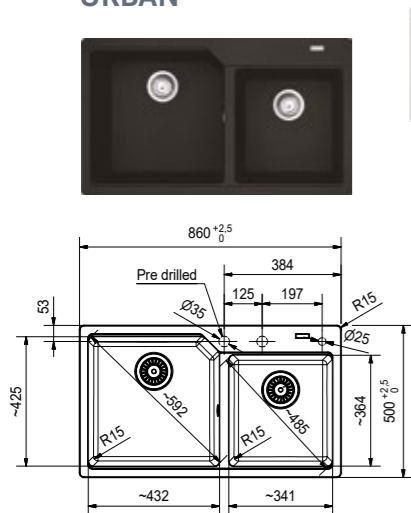
 SLOVAKIA



**Model** UBG 610-78 Onyx  
**Overall Size** 780 x 500mm (LxW)  
**Bowl Size** 723 x 425 x 230mm (LxWxD)  
**Cut-out Size** 742 x 462mm, R20 (LxW)  
**Installation** Inset  
**Included Accessory** Waste kit w/over flow, strainer bowl  
**Suggested Retail Price** \$4,480

### URBAN

 SLOVAKIA

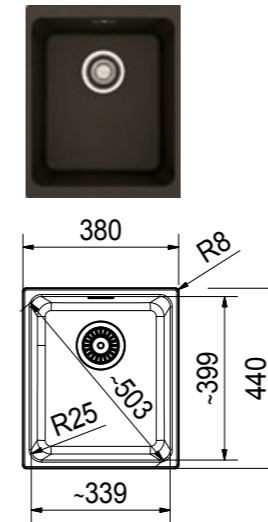


**Model** UBG 620-86 Graphite/ Onyx  
**Overall Size** 860 x 500mm (LxW)  
**Bowl Size** 432 x 425 x 230mm (LxWxD),  
 341 x 364 x 220mm (LxWxD)  
**Cut-out Size** 822 x 462mm, R20 (LxW)  
**Installation** Inset  
**Included Accessory** Waste kit w/over flow, strainer bowl  
**Suggested Retail Price** \$4,780

## FRAGRANITE SINK

### KUBUS

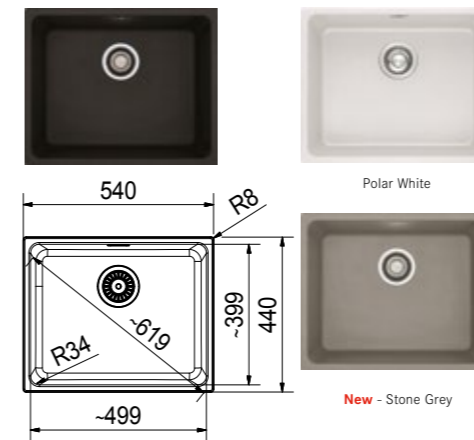
 SLOVAKIA



**Model** KBG 110-34 Graphite/ Onyx  
**Overall Size** 380 x 440mm (LxW)  
**Bowl Size** 340 x 400 x 200mm (LxWxD)  
**Cut-out Size** 340 x 400mm, R25 (LxW)  
**Installation** Undermount  
**Included Accessory** Waste kit w/over flow  
**Suggested Retail Price** \$4,080

### KUBUS

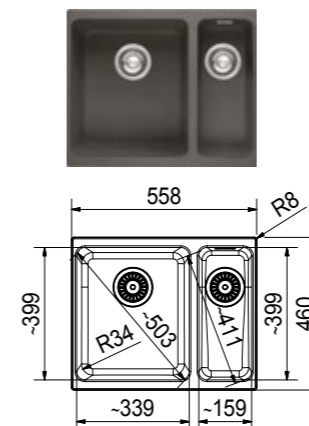
 SLOVAKIA



**Model** KBG 110-50 Graphite/ Onyx  
**Overall Size** 540 x 440mm (LxW)  
**Bowl Size** 500 x 400 x 200mm (LxWxD)  
**Cut-out Size** 500 x 400mm, R25 (LxW)  
**Installation** Undermount  
**Included Accessory** Waste kit w/over flow  
**Suggested Retail Price** \$4,580

### KUBUS

 SLOVAKIA



**Model** KBG 160 Graphite  
**Overall Size** 558 x 460mm (LxW)  
**Bowl Size** 340 x 400 x 200mm (LxWxD),  
 160 x 400 x 130mm (LxWxD)  
**Cut-out Size** 528 x 400mm, R25 (LxW)  
**Installation** Undermount  
**Included Accessory** Waste kit w/over flow  
**Suggested Retail Price** \$4,880

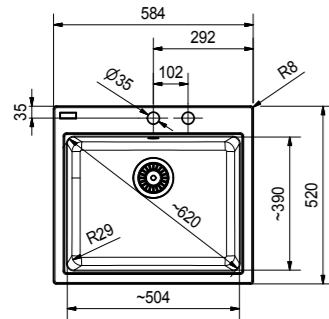
## FRAGRANITE SINK

FIJI

 SLOVAKIA



Stone Grey



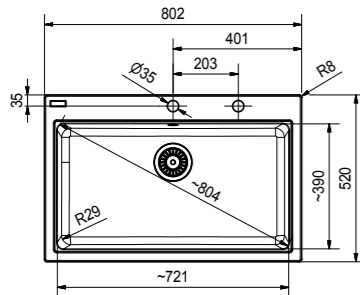
**Model** KSG 238/ KSG 610-58 Graphite  
**Overall Size** 584 x 520mm (LxW)  
**Bowl Size** 504 x 390 x 200mm (LxWxD)  
**Cut-out Size** 554 x 490mm, R8 (LxW)  
**Installation** Inset  
**Included Accessory** Waste kit w/over flow  
**Suggested Retail Price** \$4,380

FIJI

 SLOVAKIA



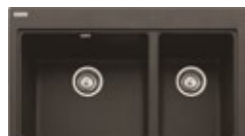
Stone Grey



**Model** KSG 318/ KSG 610 Onyx  
**Overall Size** 802 x 520mm (LxW)  
**Bowl Size** 721 x 390 x 200mm (LxWxD)  
**Cut-out Size** 772 x 490mm, R8 (LxW)  
**Installation** Inset  
**Included Accessory** Waste kit w/over flow  
**Suggested Retail Price** \$5,980

FIJI

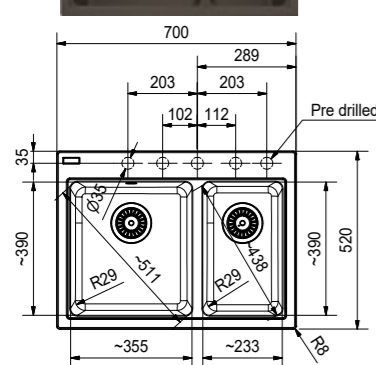
 SLOVAKIA



Polar White



Stone Grey

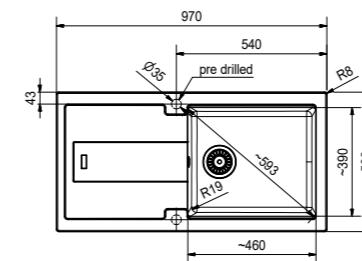


**Model** KCG 278 Graphite  
**Overall Size** 700 x 520mm (LxW)  
**Bowl Size** 355 x 390 x 200mm (LxWxD),  
 233 x 390 x 200mm (LxWxD)  
**Cut-out Size** 670 x 490mm, R8 (LxW)  
**Installation** Inset  
**Included Accessory** Waste kit w/over flow  
**Suggested Retail Price** \$5,180

## FRAGRANITE SINK

BALI

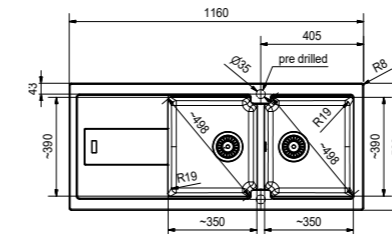
 SLOVAKIA



**Model** BLG 611-97 Graphite/ Onyx  
**Overall Size** 970 x 500mm (LxW)  
**Bowl Size** 460 x 390 x 190mm (LxWxD)  
**Cut-out Size** 950 x 480mm, R22 (LxW)  
**Installation** Inset  
**Included Accessory** Waste kit w/over flow  
**Suggested Retail Price** \$4,880

BALI

 SLOVAKIA



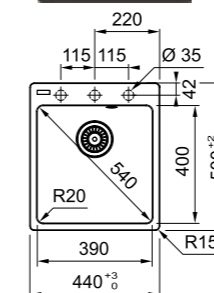
**Model** BLG 621 Graphite/ Onyx  
**Overall Size** 1160 x 500mm (LxW)  
**Bowl Size** 350 x 390 x 204mm,  
 350 x 390 x 204mm (LxWxD)  
**Cut-out Size** 1140 x 480mm, R22 (LxW)  
**Installation** Inset  
**Included Accessory** Waste kit w/over flow  
**Suggested Retail Price** \$5,880

CENTRO **NEW**

 SLOVAKIA



Stone Grey

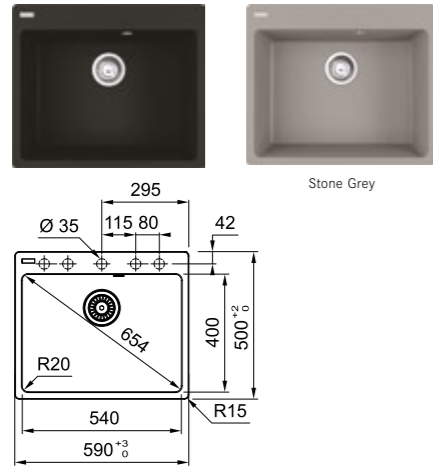


**Model** CNG 610-39 Onyx  
**Overall Size** 440 x 500mm (LxW)  
**Bowl Size** 390 x 400 x 200mm (LxWxD)  
**Cut-out Size** 420 x 480mm, R15 (LxW)  
**Installation** Inset  
**Included Accessory** Waste kit w/over flow  
**Suggested Retail Price** \$4,180

## FRAGRANITE SINK

CENTRO **NEW**

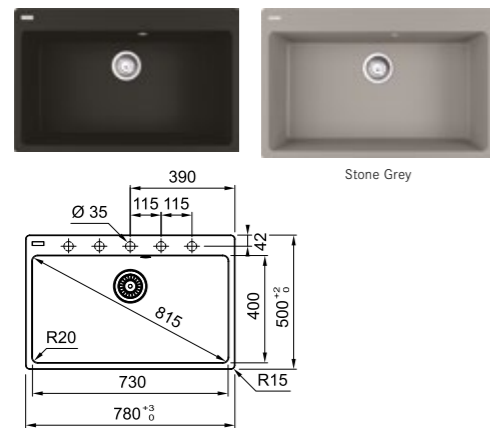
 SLOVAKIA



**Model** CNG 610-54 Onyx  
**Overall Size** 590 x 500mm (LxW)  
**Bowl Size** 540 x 400 x 200mm (LxWxD)  
**Cut-out Size** 570 x 480mm, R15 (LxW)  
**Installation** Inset  
**Included Accessory** Waste kit w/over flow  
**Suggested Retail Price** \$4,480

CENTRO **NEW**

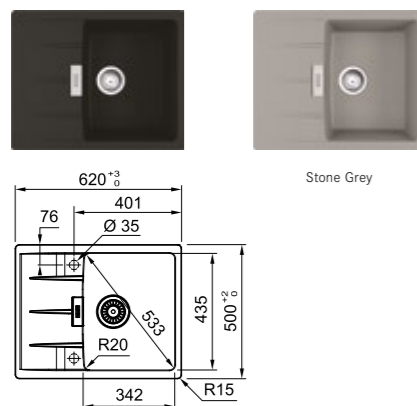
 SLOVAKIA



**Model** CNG 610-73 Onyx  
**Overall Size** 780 x 500mm (LxW)  
**Bowl Size** 730 x 400 x 200mm (LxWxD)  
**Cut-out Size** 760 x 480mm, R15 (LxW)  
**Installation** Inset  
**Included Accessory** Waste kit w/over flow  
**Suggested Retail Price** \$4,980

CENTRO **NEW**

 SLOVAKIA

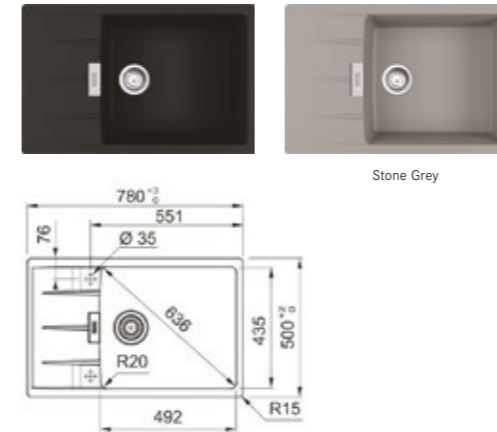


**Model** CNG 611-62 Onyx  
**Overall Size** 620 x 500mm (LxW)  
**Bowl Size** 342 x 435 x 200mm (LxWxD)  
**Cut-out Size** 586 x 466mm, R15 (LxW)  
**Installation** Inset  
**Included Accessory** Waste kit w/over flow  
**Suggested Retail Price** \$4,480

## FRAGRANITE SINK

CENTRO **NEW**

 SLOVAKIA



**Model** CNG 611-78 XL Onyx  
**Overall Size** 780 x 500mm (LxW)  
**Bowl Size** 492 x 435 x 200mm (LxWxD)  
**Cut-out Size** 746 x 466mm, R15 (LxW)  
**Installation** Inset  
**Included Accessory** Waste kit w/over flow  
**Suggested Retail Price** \$4,880

## CLEANING ACCESSORIES

 ITALY

 ITALY



**Colored Sink Cleaner (250ml)**  
 Suitable for daily maintenance

**Microfiber Care Cloth**

**Model** Colored Sink Cleaner  
**Suggested Retail Price:** \$200

**Model** Microfiber Care Cloth  
**Suggested Retail Price:** \$150

# STAINLESS STEEL SINK

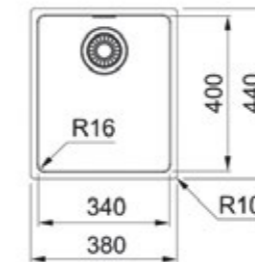
Franke offers a selection of stainless steel finishes made from 304 stainless chrome nickel steel. So, whether you prefer the more reflective qualities of a polished finish, or the subtle matt sheen of a silk or brushed finish, there's a stainless steel solution for you.



## STAINLESS STEEL SINK

MARIS

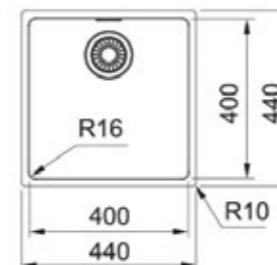
**+** SWITZERLAND



<b>Model</b>	MRX 110-34
<b>Radius</b>	16
<b>Thickness</b>	0.8mm
<b>Overall Size</b>	380 x 440mm (LxW)
<b>Bowl Size</b>	340 x 400 x 180mm (LxWxD)
<b>Cut-out Size</b>	340 x 400mm, R16 (LxW)
<b>Installation</b>	Undermount
<b>Included Accessory</b>	Waste kit w/over flow
<b>Suggested Retail Price</b>	<b>\$2,680</b>

MARIS

**+** SWITZERLAND

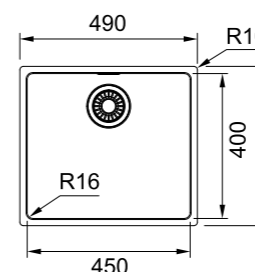


<b>Model</b>	MRX 110-40
<b>Radius</b>	16
<b>Thickness</b>	0.8mm
<b>Overall Size</b>	440 x 440mm (LxW)
<b>Bowl Size</b>	400 x 400 x 180mm (LxWxD)
<b>Cut-out Size</b>	400 x 400mm, R16 (LxW)
<b>Installation</b>	Undermount
<b>Included Accessory</b>	Waste kit w/over flow
<b>Suggested Retail Price</b>	<b>\$2,780</b>

MARIS

**NEW**

**+** SWITZERLAND

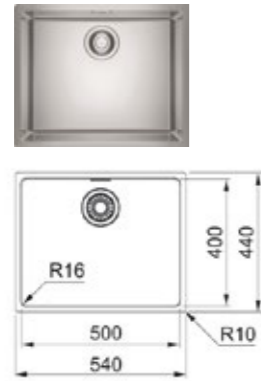


<b>Model</b>	MRX 110-45
<b>Radius</b>	16
<b>Thickness</b>	0.8mm
<b>Overall Size</b>	490 x 440mm (LxW)
<b>Bowl Size</b>	450 x 400 x 180mm (LxWxD)
<b>Cut-out Size</b>	450 x 400mm, R16 (LxW)
<b>Installation</b>	Undermount
<b>Included Accessory</b>	Waste kit w/over flow
<b>Suggested Retail Price</b>	<b>\$2,880</b>

STAINLESS STEEL SINK

MARIS

**+** SWITZERLAND



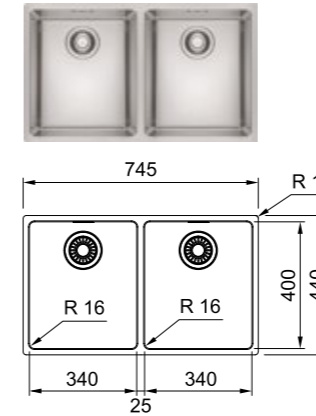
**Model** MRX 110-50  
**Radius** 16  
**Thickness** 0.8mm  
**Overall Size** 540 x 440mm (LxW)  
**Bowl Size** 500 x 400 x 180mm (LxWxD)  
**Cut-out Size** 500 x 400mm, R16 (LxW)  
**Installation** Undermount  
**Included Accessory** Waste kit w/over flow  
**Suggested Retail Price** **\$3,080**

STAINLESS STEEL SINK

MARIS

**NEW**

**+** SWITZERLAND

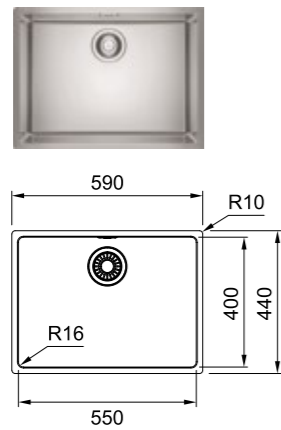


**Model** MRX 120-34-34  
**Radius** 16  
**Thickness** 0.8mm  
**Overall Size** 745 x 440mm (LxW)  
**Bowl Size** 340 x 400 x 180mm (LxWxD),  
 340 x 400 x 180mm (LxWxD)  
**Cut-out Size** 705 x 400mm, R16 (LxW)  
**Installation** Undermount  
**Included Accessory** Waste kit w/over flow  
**Suggested Retail Price** **\$5,880**

MARIS

**NEW**

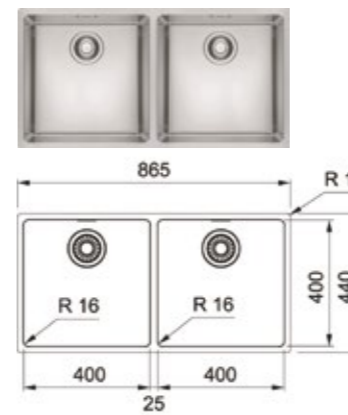
**+** SWITZERLAND



**Model** MRX 110-55  
**Radius** 16  
**Thickness** 0.8mm  
**Overall Size** 590 x 440mm (LxW)  
**Bowl Size** 550 x 400 x 180mm (LxWxD),  
 550 x 400 x 180mm (LxWxD)  
**Cut-out Size** 550 x 400mm, R16 (LxW)  
**Installation** Undermount  
**Included Accessory** Waste kit w/over flow  
**Suggested Retail Price** **\$3,280**

MARIS

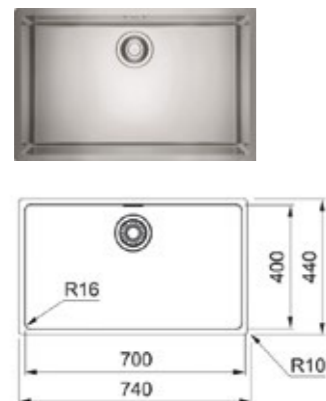
**+** SWITZERLAND



**Model** MRX 120-40-40  
**Radius** 16  
**Thickness** 0.8mm  
**Overall Size** 865 x 440mm (LxW)  
**Bowl Size** 400 x 400 x 180mm (LxWxD),  
 400 x 400 x 180mm (LxWxD)  
**Cut-out Size** 825 x 400mm, R16 (LxW)  
**Installation** Undermount  
**Included Accessory** Waste kit w/over flow  
**Suggested Retail Price** **\$5,980**

MARIS

**+** SWITZERLAND

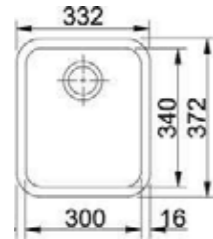


**Model** MRX 110-70  
**Radius** 16  
**Thickness** 0.8mm  
**Overall Size** 740 x 440mm (LxW)  
**Bowl Size** 700 x 400 x 180mm (LxWxD)  
**Cut-out Size** 700 x 400mm, R16 (LxW)  
**Installation** Undermount  
**Included Accessory** Waste kit w/over flow  
**Suggested Retail Price** **\$3,980**

STAINLESS STEEL SINK

GALASSIA

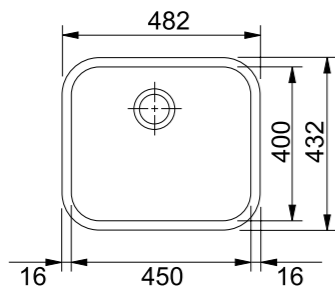
ITALY



**Model** GAX 110-30  
**Radius** 49.5  
**Thickness** 0.8mm  
**Overall Size** 332 x 372 x 170mm (LxWxD)  
**Bowl Size** 300 x 340 x 170mm (LxWxD)  
**Cut-out Size** 300 x 340mm (LxW)  
**Installation** Undermount  
**Included Accessory** Waste kit w/over flow  
**Suggested Retail Price** \$1,580

GALASSIA

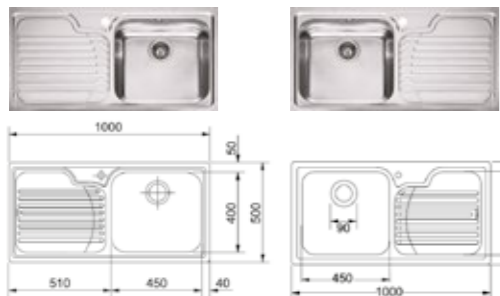
ITALY



**Model** GAX 110-45  
**Radius** 69.5  
**Thickness** 0.8mm  
**Overall Size** 482 x 432 x 180mm (LxWxD)  
**Bowl Size** 450 x 400 x 180mm (LxWxD)  
**Cut-out Size** 450 x 400mm (LxW)  
**Installation** Undermount  
**Included Accessory** Waste kit w/over flow  
**Suggested Retail Price** \$1,880

GALASSIA

ITALY

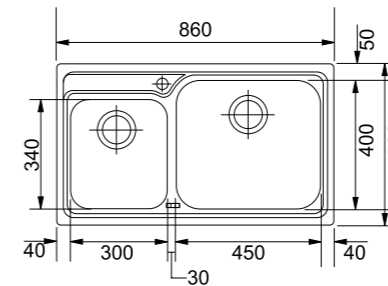


**Model** GAX 611 LHD / RHD  
**Radius** -  
**Thickness** 0.8mm  
**Overall Size** 1000 x 500 x 205mm (LxWxD)  
**Bowl Size** 450 x 400 x 180mm (LxWxD)  
**Cut-out Size** 980 x 480mm (LxW)  
**Installation** Inset  
**Included Accessory** Waste kit w/over flow  
**Suggested Retail Price** \$3,080

STAINLESS STEEL SINK

GALASSIA

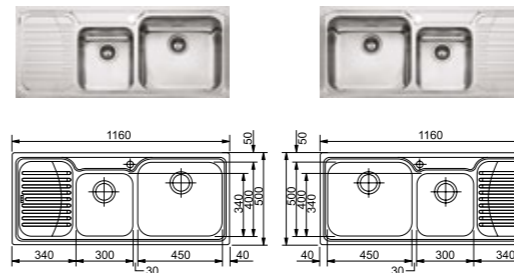
ITALY



**Model** GAX 620  
**Radius** -  
**Thickness** 0.8mm  
**Overall Size** 860 x 500 x 205mm (LxWxD)  
**Bowl Size** 450 x 400 x 180mm (LxWxD),  
 300 x 340 x 170mm (LxWxD)  
**Cut-out Size** 840 x 480mm (LxW)  
**Installation** Inset  
**Included Accessory** Waste kit w/over flow  
**Suggested Retail Price** \$3,780

GALASSIA

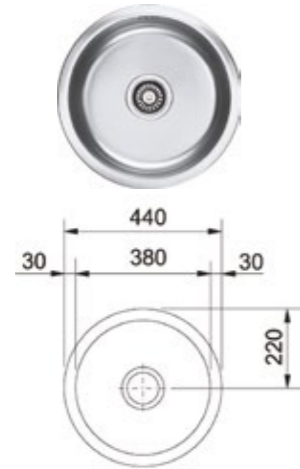
ITALY



**Model** GAX 621 LHD / RHD  
**Radius** -  
**Thickness** 0.8mm  
**Overall Size** 1160 x 500 x 205mm (LxWxD)  
**Bowl Size** 450 x 400 x 180mm (LxWxD),  
 300 x 340 x 170mm (LxWxD)  
**Cut-out Size** 1140 x 480mm (LxW)  
**Installation** Inset  
**Included Accessory** Waste kit w/over flow  
**Suggested Retail Price** \$4,080

STAINLESS STEEL SINK

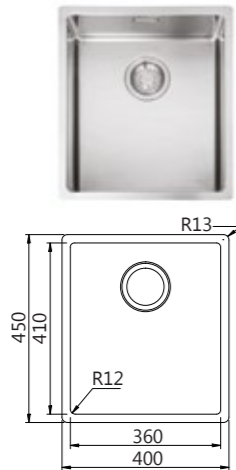
LUGANO **NEW**



**Model** LUX 610  
**Overall Size** ø440 x 180mm (LxD)  
**Bowl Size** ø380 x 180mm (LxW)  
**Cut-out Size** ø426mm (LxW)  
**Installation** Inset  
**Included Accessory** Waste kit w/over flow  
**Suggested Retail Price** **\$1,280**

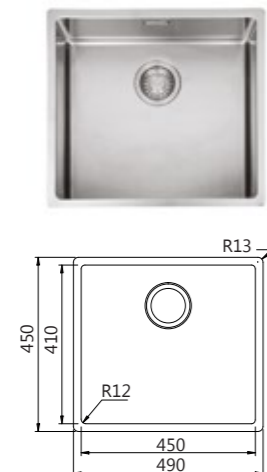


BOX



**Model** BXX 210-36  
**Radius** 12  
**Thickness** 1.2mm  
**Overall Size** 400 x 450 x 200mm (LxWxD)  
**Bowl Size** 360 x 410 x 200mm (LxWxD)  
**Cut-out Size** 370 x 420mm (LxW)  
**Installation** Inset, flushmount, undermount  
**Included Accessory** Waste kit w/over flow  
**Suggested Retail Price** **\$2,580**

BOX

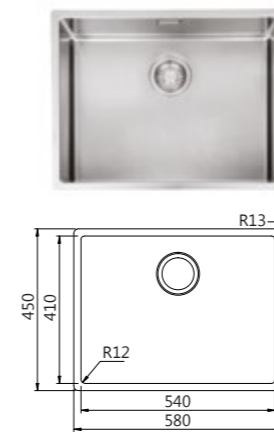


**Model** BXX 210-45  
**Radius** 12  
**Thickness** 1.2mm  
**Overall Size** 490 x 450 x 200mm (LxWxD)  
**Bowl Size** 450 x 410 x 200mm (LxWxD)  
**Cut-out Size** 460 x 420mm (LxW)  
**Installation** Inset, flushmount, undermount  
**Included Accessory** Waste kit w/over flow  
**Suggested Retail Price** **\$2,780**



STAINLESS STEEL SINK

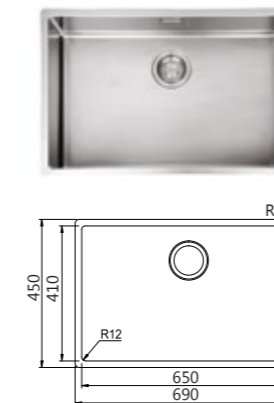
BOX



**Model** BXX 210-54  
**Radius** 12  
**Thickness** 1.2mm  
**Overall Size** 580 x 450 x 200mm (LxWxD)  
**Bowl Size** 540 x 410 x 200mm (LxWxD)  
**Cut-out Size** 550 x 420mm (LxW)  
**Installation** Inset, flushmount, undermount  
**Included Accessory** Waste kit w/over flow  
**Suggested Retail Price** **\$2,880**



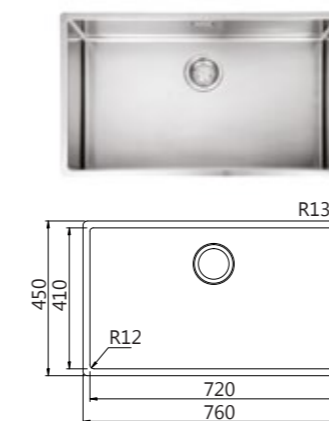
BOX



**Model** BXX 210-65  
**Radius** 12  
**Thickness** 1.2mm  
**Overall Size** 690 x 450 x 200mm (LxWxD)  
**Bowl Size** 650 x 410 x 200mm (LxWxD)  
**Cut-out Size** 660 x 420mm (LxW)  
**Installation** Inset, flushmount, undermount  
**Included Accessory** Waste kit w/over flow  
**Suggested Retail Price** **\$3,080**



BOX

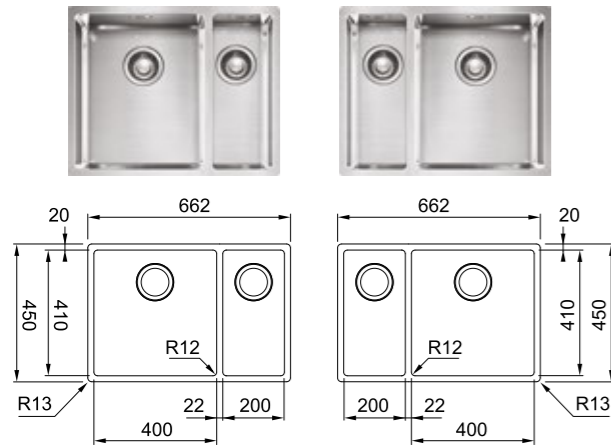


**Model** BXX 210-72  
**Radius** 12  
**Thickness** 1.2mm  
**Overall Size** 760 x 450 x 200mm (LxWxD)  
**Bowl Size** 720 x 410 x 200mm (LxWxD)  
**Cut-out Size** 730 x 420mm (LxW)  
**Installation** Inset, flushmount, undermount  
**Included Accessory** Waste kit w/over flow  
**Suggested Retail Price** **\$3,880**



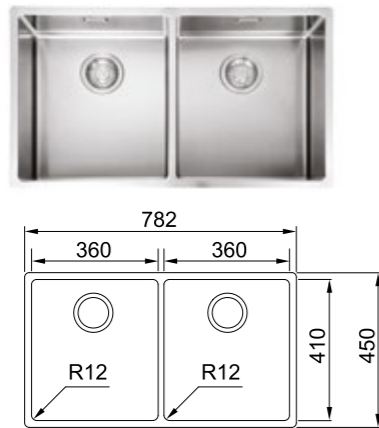
## STAINLESS STEEL SINK

### BOX



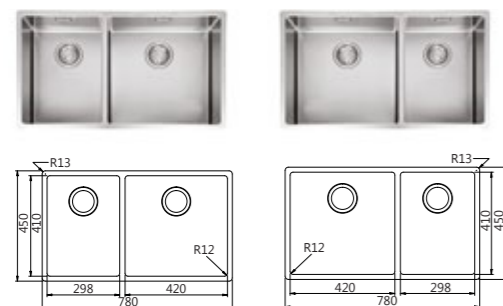
**Model** BXX 260-40 SBR / SBL  
**Radius** 12  
**Thickness** 1.2mm  
**Overall Size** 662 x 450 x 200mm (LxWxD)  
**Bowl Size** 400 x 410 x 200mm (LxWxD),  
 200 x 410 x 200mm (LxWxD)  
**Cut-out Size** 632 x 420mm (LxW)  
**Installation** Inset, flushmount, undermount  
**Included Accessory** Waste kit w/over flow  
**Suggested Retail Price** **\$4,580**

### BOX



**Model** BXX 220-36-36  
**Radius** 12  
**Thickness** 1.2mm  
**Overall Size** 782 x 450 x 200mm (LxWxD)  
**Bowl Size** 360 x 410 x 200mm (LxWxD),  
 360 x 410 x 200mm (LxWxD)  
**Cut-out Size** 752 x 420mm (LxW)  
**Installation** Inset, flushmount, undermount  
**Included Accessory** Waste kit w/over flow  
**Suggested Retail Price** **\$5,080**

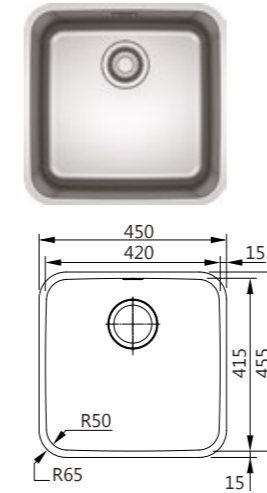
### BOX



**Model** BXX 220-74 SBL / SBR  
**Radius** 12  
**Thickness** 1.2mm  
**Overall Size** 780 x 450 x 200mm (LxWxD)  
**Bowl Size** 420 x 410 x 200mm (LxWxD),  
 298 x 410 x 200mm (LxWxD)  
**Cut-out Size** 750 x 420mm (LxW)  
**Installation** Inset, flushmount, undermount  
**Included Accessory** Waste kit w/over flow  
**Suggested Retail Price** **\$5,180**

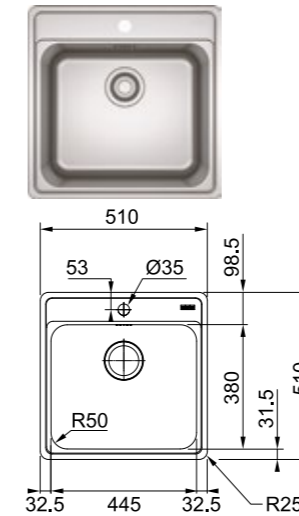
## STAINLESS STEEL SINK

### BELL



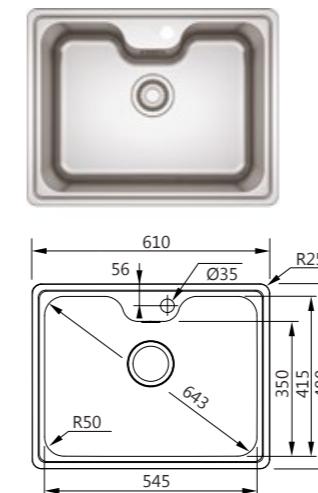
**Model** BCX 110-42  
**Radius** 50  
**Thickness** 0.8mm  
**Overall Size** 450 x 445mm (LxW)  
**Bowl Size** 420 x 415 x 200mm (LxWxD)  
**Cut-out Size** 420 x 415mm, R50 (LxW)  
**Installation** Undermount  
**Included Accessory** Waste kit w/over flow  
**Suggested Retail Price** **\$1,150**

### BELL



**Model** BCX 610-51  
**Radius** 50  
**Thickness** 0.8mm  
**Overall Size** 510 x 510mm (LxW)  
**Bowl Size** 445 x 380 x 200mm (LxWxD)  
**Cut-out Size** 486 x 486mm, R10 (LxW)  
**Installation** Inset  
**Included Accessory** Waste kit w/over flow  
**Suggested Retail Price** **\$1,450**

### BELL

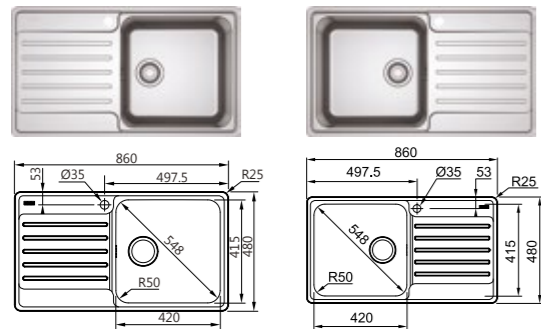


**Model** BCX 610-61  
**Radius** 50  
**Thickness** 0.8mm  
**Overall Size** 610 x 480mm (LxW)  
**Bowl Size** 545 x 415 x 200mm (LxWxD)  
**Cut-out Size** 586 x 456mm, R10 (LxW)  
**Installation** Inset  
**Included Accessory** Waste kit w/over flow  
**Suggested Retail Price** **\$1,650**



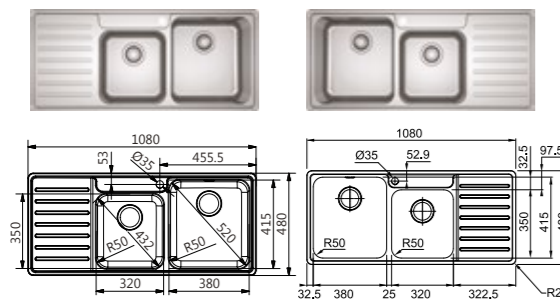
## STAINLESS STEEL SINK

### BELL



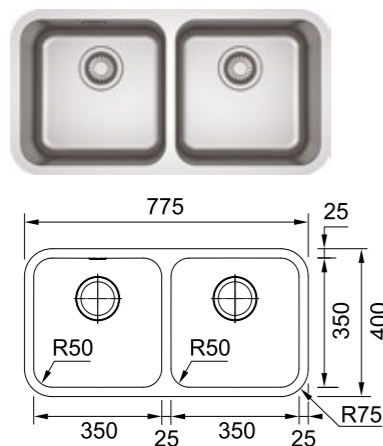
<b>Model</b>	BCX 611-86 LHD / RHD
<b>Radius</b>	50
<b>Thickness</b>	0.8mm
<b>Overall Size</b>	860 x 480mm (LxW)
<b>Bowl Size</b>	420 x 415 x 200mm (LxWxD)
<b>Cut-out Size</b>	836 x 456mm, R10 (LxW)
<b>Installation</b>	Inset
<b>Included Accessory</b>	Waste kit w/over flow
<b>Suggested Retail Price</b>	<b>\$1,950</b>

### BELL



<b>Model</b>	BCX 621 LHD / RHD
<b>Radius</b>	50
<b>Thickness</b>	0.8mm
<b>Overall Size</b>	1080 x 480mm (LxW)
<b>Bowl Size</b>	380 x 415 x 180mm (LxWxD), 320 x 350 x 160mm (LxWxD)
<b>Cut-out Size</b>	1056 x 456mm, R10 (LxW)
<b>Installation</b>	Inset
<b>Included Accessory</b>	Waste kit w/over flow
<b>Suggested Retail Price</b>	<b>\$2,450</b>

### BELL

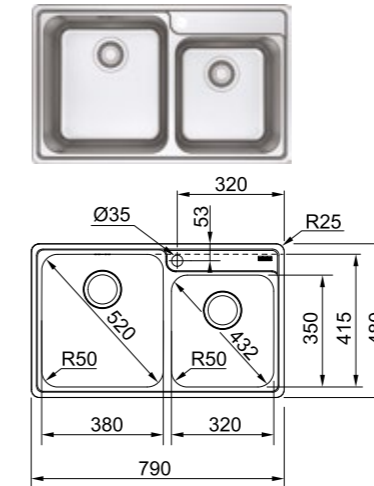


<b>Model</b>	BCX 120-35-35
<b>Radius</b>	50
<b>Thickness</b>	0.8mm
<b>Overall Size</b>	775 x 400mm (LxW)
<b>Bowl Size</b>	350 x 350 x 180mm (LxWxD), 350 x 350 x 180mm (LxWxD)
<b>Cut-out Size</b>	725 x 350mm, R50 (LxW)
<b>Installation</b>	Undermount
<b>Included Accessory</b>	Waste kit w/over flow
<b>Suggested Retail Price</b>	<b>\$1,550</b>

## STAINLESS STEEL SINK

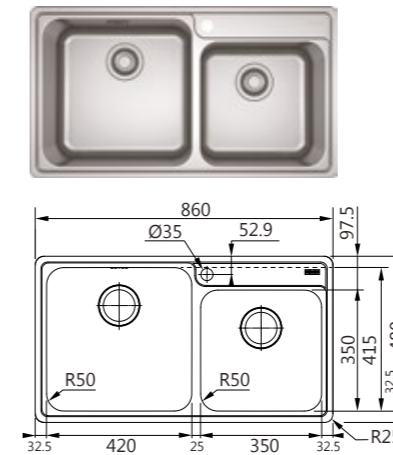
### BELL

**NEW**



<b>Model</b>	BCX 620-38-32
<b>Radius</b>	50
<b>Thickness</b>	0.8mm
<b>Overall Size</b>	790 x 480mm (LxW)
<b>Bowl Size</b>	380 x 415 x 180mm (LxWxD), 320 x 350 x 160mm (LxWxD)
<b>Cut-out Size</b>	766 x 456mm, R10 (LxW)
<b>Installation</b>	Inset
<b>Included Accessory</b>	Waste kit w/over flow
<b>Suggested Retail Price</b>	<b>\$2,050</b>

### BELL



<b>Model</b>	BCX 620-42-35
<b>Radius</b>	50
<b>Thickness</b>	0.8mm
<b>Overall Size</b>	860 x 480mm (LxW)
<b>Bowl Size</b>	420 x 415 x 200mm (LxWxD), 350 x 350 x 180mm (LxWxD)
<b>Cut-out Size</b>	836 x 456mm, R10 (LxW)
<b>Installation</b>	Inset
<b>Included Accessory</b>	Waste kit w/over flow
<b>Suggested Retail Price</b>	<b>\$2,150</b>

## CLEANING ACCESSORIES



ITALY



ITALY

**Stainless Steel Sink Cleaner (200ml)**  
Suitable for daily maintenance

**Model** Stainless Steel Sink Cleaner  
**Suggested Retail Price: \$200**

**Microfiber Care Cloth**

**Model** Microfiber Care Cloth  
**Suggested Retail Price: \$150**

# ACCESSORIES

A seamless supplement to your sink

Turn your sink into a multi-functional work station with the addition of clever accessories that combine function and technology. From items that aid a hygienic kitchen, to those that make preparation a joy, you'll find accessories that surprise and delight, such as the lightboard that fits exactly over the bowl of the sink and acts as an ambient cover.



### THE BEST-SELLING ROLLER MAT

A Franke classic that's not only useful and versatile, but also adds an elegant look to your sink.



### THE NEAT STRAINER BOWL

A beautiful strainer bowl that simply fits. The anti-scratch frame glides perfectly on the edge of the sink: move it to where you need it.



### WOODEN CHOPPING BOARD








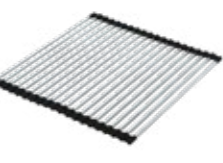

Our Chopping Board fits your sink perfectly, sitting securely over the bowl. Allowing you to maximise workspace and transform your sink into a multi-purpose workstation.



### WIRE BASKET

The Wire Basket is indispensable to hygienically dry your crockery and utensils. Designed to sit firmly on your drainer to balance your dishes firmly and securely so you air dry with confidence.

## SINK ACCESSORIES

								
<b>Type</b> Strainer Bowl	<b>Type</b> Strainer Bowl	<b>Type</b> Strainer Bowl	<b>Type</b> Strainer Bowl	<b>Type</b> Strainer Bowl	<b>Type</b> Strainer Bowl	<b>Type</b> Roller Mat	<b>Type</b> Roller Mat	<b>Type</b> Soap Dispenser
<b>Model</b> 230-104	<b>Model</b> 230-093	<b>Model</b> 230-111	<b>Model</b> 230-113	<b>Model</b> 230-115	<b>Model</b> 230-106	<b>Model</b> 210-414	<b>Model</b> 210-427	<b>Model</b> 240-539
<b>Size</b> 435 x 190 x 85mm	<b>Size</b> 429 x 150 x 50mm	<b>Size</b> 456 x 179 x 92mm	<b>Size</b> 172 x 412 x 57mm	<b>Size</b> 160 x 405 x 55mm	<b>Size</b> 429 x 150 x 50mm	<b>Size</b> 468 x 440mm	<b>Size</b> 298 x 410mm	<b>Price</b> <b>\$280</b>
<b>Material</b> Polypropylene	<b>Material</b> Stainless Steel 304 & Polypropylene	<b>Material</b> Polypropylene	<b>Material</b> Stainless Steel	<b>Material</b> Stainless Steel	<b>Material</b> Stainless Steel 304 & Polypropylene	<b>Material</b> Stainless Steel	<b>Material</b> Stainless Steel	
<b>Price</b> <b>\$80</b>	<b>Price</b> <b>\$610</b>	<b>Price</b> <b>\$380</b>	<b>Price</b> <b>\$710</b>	<b>Price</b> <b>\$350</b>	<b>Price</b> <b>\$680</b>	<b>Price</b> <b>\$610</b>	<b>Price</b> <b>\$380</b>	

## GRANITE SINK

KNG					●				●			●
FXG			●									●
UBG												●
KBG						●						●
KSG						●						●
KCG						●						●
BLG						●						●
CNG 610-39/ 610-54/ 610-73										●		●
CNG 611-62/ 611-78XL			●									

## STAINLESS STEEL SINK

MRX				●					●			●
GAX												●
LUX												●
BXX		●							●			●
BCX	●											●

\*Price = Suggested Retail Price

## SINK ACCESSORIES



Type	Chopping Board	Type	Chopping Board	Type	Chopping Board	Type	Chopping Board	Type	Chopping Board
<b>Model</b>	200-292	<b>Model</b>	200-301	<b>Model</b>	200-302	<b>Model</b>	112.0595.334	<b>Model</b>	112.0530.071
<b>Size</b>	430 x 225 x 18mm	<b>Size</b>	534 x 220 x 36mm	<b>Size</b>	442 x 230 x 20mm	<b>Size</b>	532 x 280mm	<b>Size</b>	440 x 200 x 16mm
<b>Material</b>	Bamboo	<b>Material</b>	Wooden	<b>Material</b>	Wooden	<b>Material</b>	Bamboo	<b>Material</b>	Polypropylene
<b>Price</b>	<b>\$210</b>	<b>Price</b>	<b>\$300</b>	<b>Price</b>	<b>\$260</b>	<b>Price</b>	<b>\$380</b>	<b>Price</b>	<b>\$380</b>

### GRANITE SINK

KNG									
FXG									
UBG									
KBG									
KSG									
KCG									
BLG									
CNG									

### STAINLESS STEEL SINK

MRX									
GAX									
LUX									
BXX									
BCX									

\*Price = Suggested Retail Price

## SINK WASTES AND OTHERS



Type	Waste Set without Overflow	Type	Waste Set with Overflow Set	Type	Waste Set with Overflow Set	Type	Deeper Waste without Overflow (Sanitized)
<b>Model</b>	440-144	<b>Model</b>	440-153	<b>Model</b>	112.0049.409+ 133.0036.506	<b>Model</b>	440-180
<b>Price</b>	<b>\$100</b>	<b>Price</b>	<b>\$210</b>	<b>Price</b>	<b>\$250</b>	<b>Price</b>	<b>\$230</b>

### GRANITE SINK

KNG 110-37/ 110-52								
KNG 120								
FXG 620								
UBG 610-56/ 610-78								
UBG 620-86								
KBG								
KSG								
KCG								
BLG 611-97								
BLG 621								

### STAINLESS STEEL SINK

MRX								
GAX								
LUX								
BXX								
BCX								

## SINK WASTES AND OTHERS



<b>Type</b>	Deeper Waste with Overflow Set	<b>Type</b>	Low Profile Waste without Overflow	<b>Type</b>	Low Profile Waste with Overflow Set	<b>Type</b>	Low Profile Waste Kit with Overflow Set	<b>Type</b>	POP-UP Waste with Overflow Set
<b>Model</b>	440-179 + 460-179	<b>Model</b>	440-177	<b>Model</b>	440-178 + 460-106	<b>Model</b>	440-178 + 460-108	<b>Model</b>	440-184 + 460-184 + 460-106
<b>Price</b>	\$360	<b>Price</b>	\$150	<b>Price</b>	\$240	<b>Price</b>	\$240	<b>Price</b>	\$1,200



<b>Type</b>	POP-UP Waste with Overflow Set	<b>Type</b>	Waste Kit without Overflow	<b>Type</b>	Waste Kit with Overflow Set	<b>Type</b>	Waste Kit with Overflow Set	<b>Type</b>	Waste Kit with Overflow Set	<b>Type</b>	Waste Kit with Overflow Set
<b>Model</b>	440-185 + 460-184 + 460-106	<b>Model</b>	440-183	<b>Model</b>	440-182 + 460-181	<b>Model</b>	440-113	<b>Model</b>	480-042	<b>Model</b>	480-043E
<b>Price</b>	\$1,200	<b>Price</b>	\$150	<b>Price</b>	\$240	<b>Price</b>	\$260	<b>Price</b>	\$330	<b>Price</b>	\$610

### GRANITE SINK

KNG 110-37/ 110-52	●		●					●			
KNG 120	●	●	●					●			
FXG 620	●	●	●					●			
UBG 610-56/ 610-78								●			
UBG 620-86		●						●			
KBG	●		●					●			
KSG									●	●	
KCG		●							●	●	
BLG 611-97											
BLG 621		●									
CNG 610-39/54/73										●	
CNG 611-62/78 TL											●

### STAINLESS STEEL SINK

MRX	●	●	●	●	●						
GAX 620/ 621		●									
LUX									●		
BXX	●	●	●	●	●						
BCX	●	●	●	●	●						

\*Price = Suggested Retail Price



## TAPS

### Overview

---

#### **Taps Worth Talking About**

The perfect kitchen tap combines form and function, making your life easier and your kitchen more beautiful. Franke taps are a superior choice, renowned for design, quality components, and rigorous manufacturing processes. With the acquisition of Switzerland, Franke has gained a strong partner and increased expertise in high-end tap manufacturing and design.



# HIGHLIGHTS

Kitchen taps designed to the finest standards



Explore endless shape, line and contour possibilities to make an ordinary kitchen something special. The Franke tap range provides your kitchen with a focal point – and in some cases, a talking point. Featuring cutting edge design and a whole host of innovative features to enhance your lifestyle – from filtered cold water, to instant boiling water – the range spans the entire spectrum of form and function.



## Design

Franke's line of kitchen taps perfectly captures all the elements of today's design choices – traditional, transitional, and contemporary. With everything from top flight European models with a sleek minimalist line, to classic models that are the centerpiece to any kitchen, the addition of a Franke tap can reinvigorate an existing kitchen or make a statement all its own in a fresh design.

## Manufacturing

Outstanding design and quality components come together beautifully in our manufacturing process. Strict adherence to Franke manufacturing standards in forming, finishing and final assembly achieve the exceptional quality and durability that makes a Franke tap one of the most desired additions to a kitchen.



## Hygiene

Superior materials with corrosion resistant and easy-cleaning features guarantee that no harmful materials enter the taps' flow of water.



## Durability

Scratch and acid resistant features of high quality SUS304 stainless steel ensures our tap have a much longer lifecycle.



## Functionality

Ceramic cartridges provide uniform temperature and water flow transmissions, as well as superior water-saving capabilities.



## Design Award

Thanks to its outstanding quality and cutting-edge design, the Franke Pescara range of taps has received the 2017 iF Gold Award and the Red Dot design award.



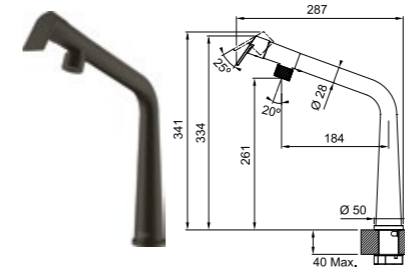
## BRASS TAP

Brass is one of the most common materials in tap making, found all around the world. Its material characteristics make it possible to create a wide range of tap shapes and styles, and chrome finishing provides a shiny look perfect for contemporary kitchen styles.

## BRASS TAP

NEW

ITALY



**Model** PT 905G Icon Swivel  
**Material** Brass  
**Finish** Matt Black  
**Pull Out** No  
**Nozzle / Spray** Nozzle  
**Hose Diameter** 3/8"  
**Suggested Retail Price** \$4,080

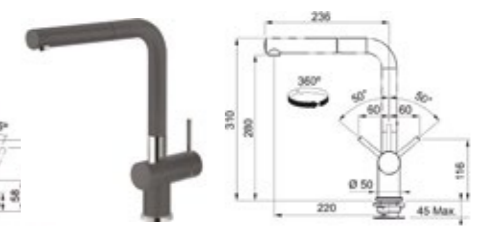
NEW

ITALY



**Model** PT 193G Icon Pull Out  
**Material** Brass  
**Finish** Matt Black  
**Pull Out** Yes  
**Nozzle / Spray** Spray  
**Hose Diameter** 3/8"  
**Suggested Retail Price** \$4,380

ITALY



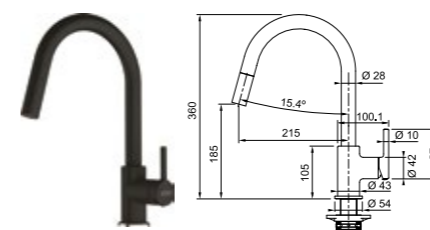
**Model** PT 934G Active Plus  
**Material** Pull Out Graphite  
**Finish** Graphite  
**Pull Out** Yes  
**Nozzle / Spray** Nozzle  
**Hose Diameter** 3/8"  
**Suggested Retail Price** \$2,780

\*Use Colored Sink Cleaner for daily maintenance

NEW

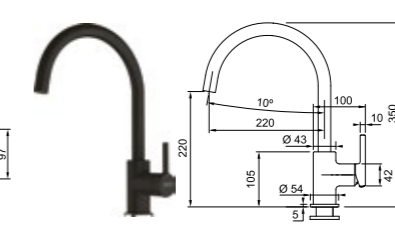
NEW

ITALY

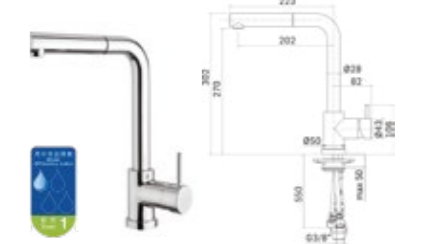


**Model** CT 933G Pull Out  
**Material** Brass  
**Finish** Onyx  
**Pull Out** Yes  
**Nozzle / Spray** Nozzle  
**Hose Diameter** 1/2"  
**Suggested Retail Price** \$1,580

\* Use Colored Sink Cleaner for daily maintenance



**Model** CT 9020G  
**Material** Brass  
**Finish** Onyx  
**Pull Out** No  
**Nozzle / Spray** Nozzle  
**Hose Diameter** 1/2"  
**Suggested Retail Price** \$1,280

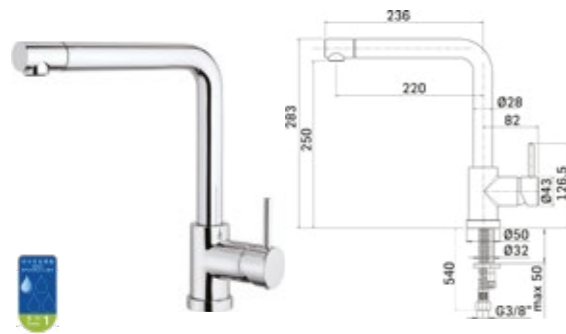


**Model** PT 935C Alto Pull Out Nozzle  
**Material** Brass  
**Finish** Chrome  
**Pull Out** Yes  
**Nozzle / Spray** Nozzle  
**Hose Diameter** 3/8"  
**General Acceptance** No. C20190524  
**Suggested Retail Price** \$1,880



## BRASS TAP

ITALY



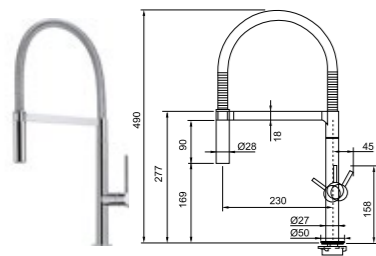
**Model** PT 902C Alto Swivel L  
**Material** Brass  
**Finish** Chrome  
**Pull Out** No  
**Nozzle / Spray** Nozzle  
**Hose Diameter** 3/8"  
**General Acceptance** No. C20200119   
**Suggested Retail Price** \$1,580

ITALY



**Model** PT 903C Alto Swivel U  
**Material** Brass  
**Finish** Chrome  
**Pull Out** No  
**Nozzle / Spray** Nozzle  
**Hose Diameter** 3/8"  
**General Acceptance** No. C20200120   
**Suggested Retail Price** \$1,380

ITALY



**Model** PT 331C  
**Material** Brass  
**Finish** Chrome  
**Pull Out** Yes  
**Nozzle / Spray** Nozzle  
**Hose Diameter** 3/8"  
**Suggested Retail Price** \$2,580

ITALY



**Model** PT 992C Hermes  
**Material** Brass  
**Finish** Chrome  
**Pull Out** Yes  
**Nozzle / Spray** Spray  
**Hose Diameter** 3/8"  
**General Acceptance** No. 20190615   
**Suggested Retail Price** \$2,680

ITALY



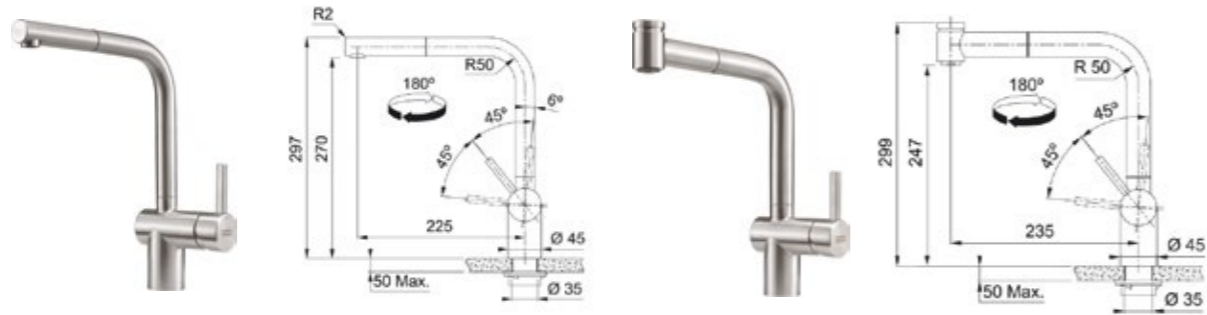
**Model** PT 332C  
**Material** Brass  
**Finish** Chrome  
**Pull Out** Yes  
**Nozzle / Spray** Nozzle  
**Hose Diameter** 3/8"  
**Suggested Retail Price** \$2,480

## STAINLESS STEEL TAP

Durable and easy to maintain, stainless steel is also lead-free, making it completely safe for your family. A brushed stain finishing is also an elegant complement to stainless steel sinks and appliances.



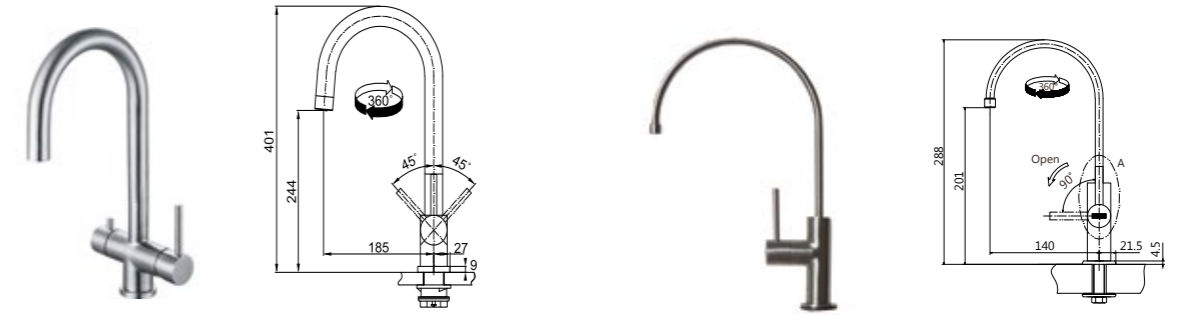
## STAINLESS STEEL TAP



<b>Model</b>	CT 1310S
<b>Material</b>	Stainless Steel
<b>Finish</b>	Satin
<b>Pull Out</b>	Yes
<b>Nozzle / Spray</b>	Nozzle
<b>Hose Diameter</b>	3/8"
<b>Suggested Retail Price</b>	<b>\$1,980</b>

<b>Model</b>	CT 196S
<b>Material</b>	Stainless Steel
<b>Finish</b>	Satin
<b>Pull Out</b>	Yes
<b>Nozzle / Spray</b>	Spray
<b>Hose Diameter</b>	3/8"
<b>Suggested Retail Price</b>	<b>\$2,480</b>

## STAINLESS STEEL FILTRATION TAP



<b>Model</b>	CT 165S
<b>Material</b>	Stainless Steel
<b>Finish</b>	Satin
<b>Pull Out</b>	No
<b>Nozzle / Spray</b>	Nozzle
<b>Hose Diameter</b>	1/2"
<b>Suggested Retail Price</b>	<b>\$2,780</b>

<b>Model</b>	CF 01S
<b>Material</b>	Stainless Steel
<b>Finish</b>	Satin
<b>Pull Out</b>	No
<b>Nozzle / Spray</b>	Nozzle
<b>Hose Diameter</b>	—
<b>Suggested Retail Price</b>	<b>\$1,180</b>

## CLEANING ACCESSORIES



<b>Model</b>	CT 193S
<b>Material</b>	Stainless Steel
<b>Finish</b>	Satin
<b>Pull Out</b>	Yes
<b>Nozzle / Spray</b>	Spray
<b>Hose Diameter</b>	1/2"
<b>Suggested Retail Price</b>	<b>\$2,480</b>

<b>Model</b>	CT 195S
<b>Material</b>	Stainless Steel
<b>Finish</b>	Satin
<b>Pull Out</b>	Yes
<b>Nozzle / Spray</b>	Spray
<b>Hose Diameter</b>	1/2"
<b>Suggested Retail Price</b>	<b>\$3,080</b>



ITALY



### Tap Cleaner (250ml) Suitable for daily maintenance

<b>Model</b>	Tap Cleaner
<b>Suggested Retail Price</b>	<b>\$200</b>



ITALY

### Microfiber Care Cloth

<b>Model</b>	Microfiber Care Cloth
<b>Suggested Retail Price:</b>	<b>\$150</b>

# FILTRATION

## Overview

---

### **Clean and Healthy Water on Demand**

Whether it's a cool refreshing glass of water in the garden, washing salad and vegetables or brewing the perfect cup of coffee, our water filters improve the look, taste and odour of your water by filtering out unwanted contaminants.

### **instantFil Counter-Top Drinking Water Filter System**

Discover the quick and convenient solution to enjoy fresh, clean water for all of the family. Franke instantfil counter-top water filters connect to the existing tap and sit next to the sink, meaning the system will fit perfectly in any kitchen without the need for permanent installation.

Franke instantfil counter-top water filtration systems take out more than 99.99% of common water contaminants, providing healthy, tasty water with no extra effort required.

### **Still Pure Under Counter Drinking Water Filter System**

Originally designed to be fitted to the mains cold water pipe underneath the kitchen counter, these filter systems have proved very popular within the water cooler industry, due to the ease with which they can be incorporated into cooler plumbing.



# INSTANTFIL/ STILL PURE FILTER CARTRIDGE

## Performance Claims



Scan for Chinese version

<b>FLOW RATE</b>	US GPM (@45psi)	0.5 GPM
	LPM (@45psi)	1.9 LPM

<b>CAPACITY</b>	600 USG
	2300 L

<b>FILTRATION RATING*</b> (% particulate filtration efficiency)		
	Absolute (defined as >99.99%)	0.9 micron
	Nominal (defined as >99.9%)	0.5 to 0.8 micron
	Nominal (defined as >97%)	0.2 to 0.3 micron
	Turbidity	>98%

### PATHOGENIC ORGANISMS

% Bacteria Removal	E. Coli / Cholera / Shigella / Typhoid / Klebsiella Terrigena	>99.99%
% Cyst Removal	Cryptosporidium	>99.99%
	Giardia	>99.99%

### TRACE ORGANICS REMOVAL\*

Insecticides	Lindane @ 0.1ppb presence	>85%
Herbicides	Atrazine @ 1.2ppb presence	>85%
Phenols	TCP @ 1.2ppb presence	>50%
Polyaromatic Hydrocarbons	PAHs @ 0.2ppb presence	>95%
Trihalomethanes	Chloroform @ 150ppb presence	>50%

### ENHANCED ORGANICS REMOVAL\*

Lindane	2ppb presence	Ave 70%
Atrazine	9ppb presence	Ave 90%
Benzene	15ppb presence	Ave 87%

### INORGANICS REMOVAL\*

Free Chlorine Removal	2ppm presence to NSF Class 1 Std 42	94.2%
-----------------------	-------------------------------------	-------

### MONOCHLORAMINE REDUCTION\*

2ppm presence	Ave 64%
---------------	---------

### HEAVY METALS REMOVAL\*

Lead reduction pH 6.5	@ 150ppb presence to NSF Std 53	97.3%
Lead reduction pH 8.5	@ 150ppb presence to NSF Std 53	99.5%
Mercury reduction pH 6.5	@ 6ppb presence	Ave 90%
Cadmium reduction pH 6.5	@ 30ppb presence	Ave 95%

### FILTER MAINTENANCE TIPS

For optimum performance, water flow should be restricted to approximately 1 1/2L per minute and replaced every 6 months or after filtering 2,300L of water.

\*These claims have not been evaluated by NSF International

# HIGHLIGHTS

The new contemporary drinking water filter



### 360° Swivel Spout

Versatile positioning on any counter with adjustable length tubing.

### Variety of Filter Elements

Solve most common water contamination issues. Bayonet construction for easy quarter turn access on cleaning and maintenance.

### Modular Design

Space saving modern shape streamlined for easy cleaning with interchangeable coloured body sleeve and cap.

## WATER FILTRATION SYSTEM

### INSTANTFIL COUNTER-TOP DRINKING WATER FILTER SYSTEM

ENGLAND



**Model** instantFil Counter-top Drinking Water Filter System  
**Size** 310 x 175mm (LxW)  
**Material** Plastic  
**Suggested Retail Price** \$980

**Operating Conditions**  
 Operating Pressure: 0.7-6 bar (10-90 psi)  
 Operating Temperature: 5-30°C



### STILL PURE UNDER COUNTER DRINKING WATER FILTER SYSTEM

ENGLAND



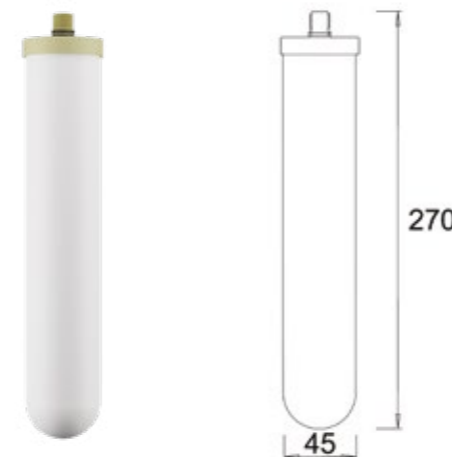
**Model** Still Pure Under Counter Drinking Water Filter System  
**Size** 300 x 68mm (LxW)  
**Material** Stainless Steel  
**Suggested Retail Price** \$2,780

**Operating Conditions**  
 Operating Pressure: 0.7-6 bar (10-90 psi)  
 Operating Temperature: 5-30°C



### INSTANTFIL/ STILL PURE FILTER CARTRIDGE FRA-06

ENGLAND



**Model** instantFil/ Still Pure Filter Cartridge Fra-06  
**Size** 270 x ø45mm (LxW)  
**Material** Ceramic  
**Suggested Retail Price** \$600





# FOOD WASTE DISPOSER

## Overview

### More Choice, More Space

A food waste disposer unit can be a wonderful, long-lasting addition to any kitchen if proper care is taken.

Food waste disposer units are designed to deal with small amounts of organic waste: fruit and vegetable peels, small bones from fish and chicken, coffee grounds, pips and seeds, nutshells, eggshells, rice and leftover meat. To prevent any problems, avoid putting teabags, seafood shells, corn cobs, banana skins, pineapple leaves or metal, glass, plastic and paper down the unit. Plus, to keep things smelling clean and fresh, don't use drain cleaner – instead, squirt a few drops of lemon juice.

### Torque Talk

- Permanent magnet motor
- Torque master grinding system



### Magnetic Magic

- Energy saving
- Less is more



### Here to stay

- 3-bolt mount system
- Corrosion resistance



### Clean Slate

- Bio Shield
- Removeable splashguards



# HIGHLIGHTS

A greener, simpler and quieter choice



### Less is More

Quickly shred and pulp food waste material into small pieces that are then flushed down the drain at a 2700RPM motor speed. This process releases water trapped inside the food material (which can form up to 85% of its bulk), thereby helping to reduce the volume of food waste released from your home.

### Health and Hygiene

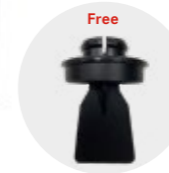
Food waste in the kitchen is not only messy and inconvenient, but can also lead to hygiene problems. Fish, meat and dairy products can spoil quickly, resulting in a plethora of germs and insects – particularly in a warm environment. A Turbo Elite series food waste disposer is the simple, convenient and hygienic answer.

### Safety Comes First

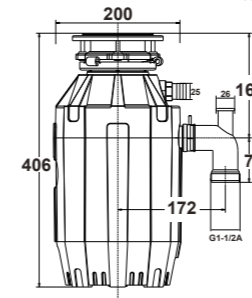
Equipped with complete features and systems for safe use, our Turbo Elite series food waste disposer ensures full functionality for a less wasteful home without any worry over safety or accidents.



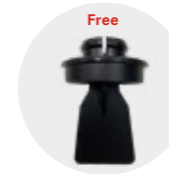
## FOOD WASTE DISPOSER



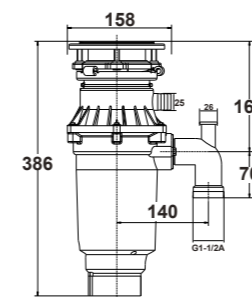
FWDA03B-01  
Retail Selling Price \$30



<b>Model</b>	Turbo Elite TE-125
<b>Type</b>	Continuous Feed
<b>Dimension</b>	ø200 x 406mm
<b>Grind Chamber Capacity</b>	1,400ml
<b>Motor Horsepower</b>	1.25HP
<b>Motor Speed RPM</b>	2,800RPM
<b>Motor Type</b>	High Torque Dual Magnetic
<b>Air Switch</b>	Integral
<b>Mounting System</b>	Professional 3-bolt
<b>Warranty</b>	2 Years
<b>Suggested Retail Price:</b>	<b>\$5,890</b>



FWDA03B-01  
Retail Selling Price \$30



<b>Model</b>	Turbo Elite Slimline TE-75S
<b>Type</b>	Continuous Feed
<b>Dimension</b>	ø158 x 386mm
<b>Grind Chamber Capacity</b>	1,400ml
<b>Motor Horsepower</b>	0.75HP
<b>Motor Speed</b>	2,700RPM
<b>Motor Type</b>	High Torque Dual Magnetic
<b>Air Switch</b>	Integral
<b>Mounting System</b>	Professional 3-bolt
<b>Warranty</b>	2 Years
<b>Suggested Retail Price:</b>	<b>\$3,380</b>



# CLEAN & CARE

## Overview

### General maintenance is wonderfully simple

Increase the lifespan of your Franke products and prevent the buildup of dirt and limescale by simply wiping down your sink and all stainless steel surfaces with a damp cloth and soapy water. This simple tip will keep your products looking great.

Discover more top cleaning tips below.

### NEW Colored Sink Cleaner (250ml)

Cleaning a colored mineral cast sink is like washing a car. In order to keep it clean you have to make sure the water drops roll off the surface without leaving lime scale deposits. This is exactly what the specialised Franke Kitchen Care Colored Sink Cleaner does. It removes dirt deposits and protects your sink effectively from water stains.



ITALY

**Model** Colored Sink Cleaner  
**Suggested Retail Price:** \$200



### NEW Stainless Steel Sink Cleaner (200ml)

Commercial detergents often affect stainless steel. After a while, the sink becomes dull and the glaze is damaged. The new Franke Kitchen Care Stainless Steel Sink Cleaner instead is acid-free and includes polishing compounds which ensure sustainable and gentle cleaning. Applied regularly with the Franke Kitchen Care Microfiber Care Cloth, it ensures your sink will always look as good as new.

**Model** Stainless Steel Sink Cleaner  
**Suggested Retail Price:** \$200



ITALY

### NEW Tap Cleaner (250ml)

When looking at a shiny tap, one tends to forget all the technology and mechanics tucked inside. There are valves, cartridges, seals, and filters that might get harmed if you use an aggressive cleaner. The Franke Kitchen Care Tap Cleaner removes all lime scale and dirt gently but thoroughly, thus preserving the beauty and performance of your tap for years.

**Model** Tap Cleaner  
**Suggested Retail Price:** \$200



### NEW Microfiber Care Cloth

The best toothpaste is even more effective when applied with the best toothbrush. The same goes for the Franke Kitchen Care detergents. When combined with the Franke Kitchen Care Microfiber Care Cloth, each of them is more effective and more protective than with any other cloth or sponge. Thanks to its unique structure, the fibre used in it absorbs even the smallest dirt particles while smoothly polishing the surface. Washable at up to 60°C and suitable for tumble drying, the cloth can be used over and over again to keep your kitchen clean and shiny.

**Model** Microfiber Care Cloth  
**Suggested Retail Price:** \$150



ITALY



# PROJECT REFERENCE

(BY ASCENDING ORDER)

## HONG KONG

PROJECT	DEVELOPER
Billionnaire Avant 御門·前	Chinachem 華懋
Cathay Pacific Cargo Terminal HK 國泰航空貨運站	Cathay Pacific Airlines Ltd. 國泰航空
Centre Point 尚賢居	Henderson Land 恒基
Cityplaza Phase 3 太古城中心3期	Swire Properties 太古
Dragons Range 玫瑰山	Kerry 嘉里
Eden Gate 雲門	Chinachem 華懋
Eltanin Square Mile 利奧坊·曉岸	Henderson Land 恒基
Emerald Bay 碧瓏灣	Evergrande 中國恒大集團
Facebook Hong Kong	Facebook Hong Kong
Grand Hyatt HK Renovation 香港君悅酒店	Grand Hyatt 君悅酒店
Harmony Place 樂融軒	Housing Society 香港房屋協會
HKUST Campus 香港科技大學	HKUST 香港科技大學
Horizon Suite Hotel 海澄軒	Cheung Kong Holdings 長江
Island Garden 香島	Nan Fung 南豐
JW Marriot HK 萬豪酒店	Marriott International Group 萬豪
K.K. Leung Building, HKU 香港大學梁銶琚樓	HKU 香港大學
Lepont 上源	Vanke 萬科
MacPherson Place 麥花臣匯	Kowloon Development 九龍建業
Mantin Heights 皓畋	Kerry 嘉里
Maya 曦臺	Wang On 宏安
Mount Nicholson 聶高信山	Wheelock 會德豐
132 Nga Tsin Wai Road 衙前圍道132號	TK Tsui
1 Oxford Road 牛津道一號	China Overseas 中國海外
77 Peak Road 山頂道77號	Wheelock 會德豐
11 Plantation Road 種植道11號	Wheelock 會德豐
Providence Bay Clubhouse 天賦海灣	Nan Fung 南豐
Rosewood Hotel 瑰麗酒店	New World Development 新世界

## HONG KONG

PROJECT	DEVELOPER
Sheung Heung Road Project 上鄉道發展項目	New World Development 新世界
St. Martin 雲滙	Sun Hung Kai Properties 新鴻基
St. Paul's Hospital 聖保祿醫院	St. Paul's Hospital 聖保祿醫院
The Beaumont 峻瀝	Cheung Kong Holdings 長江
The Bloomsway 滿名山	Kerry 嘉里
The Entrance 峻源	Citic 中信集團
The Hong Kong Polytechnic University 香港理工大學	The Hong Kong Polytechnic University 香港理工大學
The Met. Acappella 薈薈	Wang On 宏安地產
The Signature 春暉8號	New World Development 新世界
The Visionary 昇薈	Nan Fung 南豐
Towngas Cooking Center Causeway Bay 銅鑼灣煤氣烹飪中心	Towngas 中華煤氣
Vibe Centro 龍譽	Poly Property 保利置業
Winfield 雲暉大廈	Nan Fung 南豐

## MACAU

PROJECT	DEVELOPER
JW Marriot, Galaxy Resort, Macau 萬豪酒店	Galaxy Entertainment Group 銀河娛樂
La Marina 海上居	Polytec Asset Group 保利達
Lotes T+T1, The Orient Pearl District, Novos Aterros da Perta, Macau	Polytec Asset Group 保利達
MGM Cotai Macau 美獅美高梅酒店	MGM China Holdings 美高梅中國控股
Nova City Phase 5 濠庭都會 - 濠尚	Shun Tak 信德
Rua da Ribeira do Patane, Macau 鏡湖醫院	鏡湖醫院基金會
The Venetian Hotel Resort, Macau 澳門威尼斯人	The Venetian Macau Limited 澳門威尼斯人

## WARRANTY TERMS

The warranty for manufacturing defects on this FRANKE device is 1 year from the date of purchase (Faucet cartridge is 5 years from the date of purchase). The customer must inform FRANKE about all faults within 2 months of determination. FRANKE must always be provided with the proof of purchase stating the vendor/retailer, purchase date and product identification number.

The manufacturer's warranty is only granted under the following conditions:

- The device is only used in a private household.
- The device was connected as per the manufacturer's instructions and all essential energy regulations were complied with when connecting as per the supplied operating instructions.
- The device is only used in line with the instructions in the operating instructions.
- All repairs are implemented by an authorised FRANKE customer service centre and FRANKE spare parts were used.
- The model or serial number on the product was not changed, deleted, removed or otherwise made illegible.

During the warranty period FRANKE will either repair or replace defective parts for the customer free of charge.

FRANKE has the right to replace the defective device with one of the same value if defects occur repeatedly or if the repair costs bear no relationship to the value of the goods.

There is no right to repairing or replacing the device beyond the warranty period of 1 year.

## EXCLUSION CLAUSES

This FRANKE warranty does not cover repair or spare part costs arising for the following reasons:

- The operating or maintenance instructions from the manual provided were not met.
- The device was operated in a negligent or grossly negligent manner.
- The maintenance or repair was undertaken by an unauthorised person or the customer and/or no original spare parts were used.
- Due to transport damage or damage arising from force majeure

\* The above warranty terms only apply to Hong Kong and Macau.

and/or events that cannot be specified as manufacturing defects on the device.

- Parts that can be removed, handles, light bulbs, enamel or glass parts, external tubes and all components and wear parts are not covered by this warranty unless it can be proven that they have manufacturing defects.
- Damage to the product caused by the installer and operating faults caused by incorrect installation.
- Defects on the systems and fittings with which the device was linked. This is why the customer has to provide full payment for any service call and spare parts if requesting an authorised employee from the customer service centre in these cases.

## EXTENT OF AREA

This warranty is guaranteed by FRANKE in the area of the stated country by the customer service network.

Devices sold or used in other countries are covered by the warranty of the FRANKE Group company in the respective country.

## MANUFACTURER'S LIABILITY RESTRICTIONS

FRANKE does not accept any liability whatsoever for damage to people, property or animals created directly or indirectly as a result of not complying with the instructions in the operating manual, in particular with regard to the installation, operation and maintenance of the device.

## EXPIRY OF THE WARRANTY

After the end of the 1 year warranty period, all service calls to customer services for a repair or replacement of components must be paid for in full by the customer, as per the price lists of the authorised FRANKE customer service. In the event that a defective product is repaired or replaced, the warranty applies to the repaired or new product only for the same time as the original warranty on the product.

If you want to contact FRANKE for a service call, please provide the purchase receipt and the following information:

- Model / serial / product no.

You will find this information on the device's nameplate.

- Date of purchase

